

BFY Series

MULTIBAGS FILTER
QUICK OPENING CLOSURE



MAIN APPLICATIONS:

- DESALINATION
- WATER TREATMENT
- FINE CHEMICAL
- FOOD & BEVERAGE
- POWER GENERATION
- PAINTS AND RESINS
- PHARMACEUTICAL
- SEMICONDUCTORS
- STEEL MILL
- GENERAL INDUSTRY

CHARACTERISTICS:

- Construction materials:
 - Stainless steel 304-SS or 316-SS
- Designed in accordance with ASME Sect. VIII Div. 1
- Suitable for liquid Gr. 1 and 2 filtration
- According to 2014/68/EU PED Directive
- According to 2014/34/EU ATEX Directive
- Quick opening closure top cover
- Suitable for pressure up to 10 bar
- Designed to accept size 2 bags
- Suitable for PB series pleated bags
- Suitable for filtering bags with metal ring or PolyformSEAL™
- Designed for high flow-rate
- Quick opening closure sealing o-ring type
- Designed for fast filtering bags replacement
- Restrainer baskets suitable for Delta-P up to 4 bar
- Vent valve connected to quick opening closure to prevent under pressure filter opening

ASCO FILTRI

a **mott** company

BFY Series

**MULTIBAGS FILTER
QUICK OPENING CLOSURE**

TECHNICAL DATA

MAX. WORKING CONDITIONS

6 bar @ 100 °C
10 bar @ 100 °C

CONSTRUCTION MATERIALS

- 304-SS
- 316-SS

SURFACE FINISHING

- Internal/external:
- Glass bead blasted

GASKETS

- EPDM max. 120 °C
- Viton max. 230 °C
- Silicone max. 230 °C

IN/OUT

- Up to 10"

ACCESSORIES

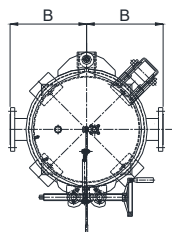
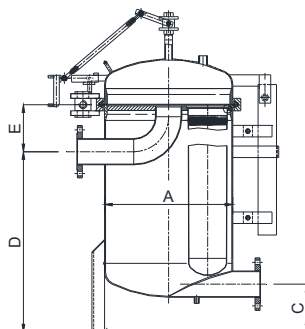
- Differential pressure gauge
- Vent valve (included)
- Drain valve
- Volume reducer
- Magnetic candels kit

Dimensions:

Model	Bags qty	Q max. [m³/h]	Dimensions [mm]					In/out	Vent	Drain	PI	Vol. [lit]
			A	B	C	D	E					
BFY042	4	60	558	400	250	873	200	4"	1/2"	1"	1/2"	210
BFY062	6	180	658	450	300	820	280	6"	1/2"	1"	1/2"	320
BFY082	8	240	760	520	300	841	350	8"	1/2"	1"	1/2"	450
BFY102	10	300	962	650	360	835	315	10"	1"	1"	1/2"	900

Max. flow-rate with water, clean Delta-P 0.1 bar and 50 µm filtering bags.

Flow-rates change in function of the installed filtration rating, filtering bags type and fluid viscosity.
For larger size and flow-rate contact ASCO Filtri.



Contact us for any further information.

We reserve the right to change the data of this specification without notice..

ASCO Filtri S.p.A.

Viale delle Scienze, 8
20082 Binasco (MI) - Italy

Phone: +39 02 89703.1

Fax: +39 02 89703.410

E-mail: info@ascofiltri.com

Web: www.ascofiltri.com

ASCO
FILTRI
a **mott** company